

HUEBSCH MULTI-HOUSING

ELECTRONIC CONTROL

COMMERCIAL STACKED WASHER-DRYER – CANADA

Built for Reliable Performance

Huebsch®'s stacked washer-dryer brings an innovative stacked concept that takes up half the floor space that a conventional washer and dryer does when situated side by side. The freestanding softmount design can be installed on all floor types or levels. Both washer and dryer have the same hookups and connections as a standard washer and dryer. No additional plumbing or electrical change is needed. Huebsch's stacked washer-dryer combines heavy-duty construction with reliable operation proven to stand the test of time. They're designed with less moving parts for one reason: so you'll face fewer maintenance problems and less wear and tear down the road. Front load products have met every design standard to be 100% ADA compliant.

WASHER (ADA Compliant)

- Rugged suspension system
- Industry leading 1200 RPM spin speed exerts 440 G-force extraction
- Durable stainless steel washtub
- Four-compartment soap dispenser
- Extra-wide 15.5" door opening and 180° door swing

DRYER

- Upfront lint filter easy to clean and secured
- Industry's largest door opening 2.06 sq. ft. (1914 cm²)
- Quiet, efficient blower system



Washer Control

Dryer Control

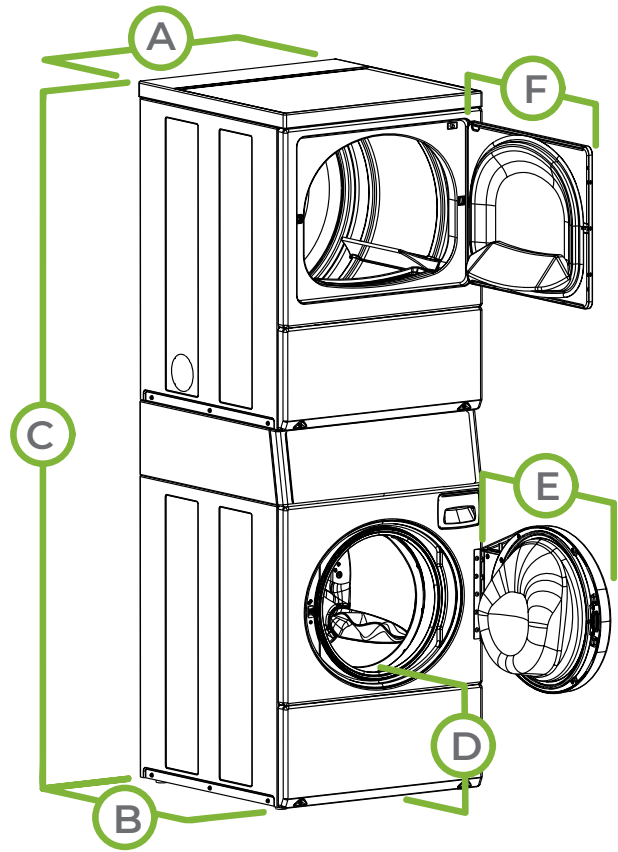
Electronic control is designed for durability and easy operation with attractive selection buttons and cycle status indicator lights.

SPECIFICATIONS

COMMERCIAL STACKED WASHER-DRYER – CANADA

MODEL - see below for all models and activation available		
CONTROL OPTION		Electronic
COLOR		White
CAPACITY - lb (kg)	Washer	21.5 (9.5)
	Dryer	18 (8.2)
CYLINDER VOLUME cu. ft. (liters)	Washer	3.42 (96.8)
	Dryer	7.0 (198)
MOTOR SIZE - HP (kW)		0.9 (0.67)
TYPE OF GAS (GAS MODELS ONLY)		Factory equipped natural/mixed gas
WATER CONSUMPTION PER CYCLE g (liter)		13.68 (51.8)
IWF (WATER FACTOR) gal/ft ³ (liters/liter/cycle)		4.0 (0.53)
MEF ₃₂ (Modified Energy Factor) ft ³ /kWh/cycle (Liters/kWh/cycle)		2.20 (62.3)
AVAILABLE WATER TEMPERATURES		Hot, Warm, Cold
AVAILABLE CYCLES	Washer	Heavy Duty, Normal Eco, Perm Press, Delicate, Rinse and Spin
	Dryer	Regular, Perm Press, Delicate, Time Dry, Quick Dry, Fluff Up
AIR OUTLET DIAMETER - mm (in)		4 (102)
EXHAUST AIRFLOW - cfm (liters/sec)		220 (105)
ELECTRICAL REQUIREMENTS	Electric	120/240/60/1-40 amp 120/208/240/60/1-40 amp
	Gas	120/60/1-20 amp
HEATING ELEMENT	Electric	5000W, 240V 5000W, 208V
	Gas	22,500 Btu
NET WEIGHT - lb (kg)		350 (158.8)
SHIPPING WEIGHT - lb (kg)		380 (172.4)
SHIPPING DIMENSIONS APPROX. - mm (in)	Width	34 (864)
	Depth	30 (762)
	Height	80 (2032)
AGENCY APPROVALS	Electric	cULus
	Gas	cCSAus

MODELS	VOLTAGE/FREQ/PH	
YTEE5ASP285CW01	208-240/60/1	Electric
YTGE5ASP095CW01	120/60/1	Gas



A. OVERALL WIDTH - in (mm)	26.875 (683)
B. OVERALL DEPTH - in (mm)	27.73 (704)
C. OVERALL HEIGHT - in (mm)	78.17 (1986)
D. FLOOR TO DOOR OPENING -in (mm)	14.5 (368)*
E. DOOR SWING - in (mm)	24 (610)

* For ADA compliance turn legs out from base 0.5 inches

NOTE: Stack washer/dryer requires one inlet power supply circuit.

- Gas dryers can be field converted for operation on LP gas with optional 458P3 conversion kit.

For the most accurate information, the installation guide should be used for all design and construction purposes. Due to continuous product improvements, design and specifications subject to change without notice. The quality management systems at Alliance Laundry Systems are registered to ISO 9001.

Commercial product is not authorized for sale to Residential end consumers.

huebsch.com

Huebsch by Alliance Laundry Systems

AH21-0185 · ©2021 Alliance Laundry Systems LLC